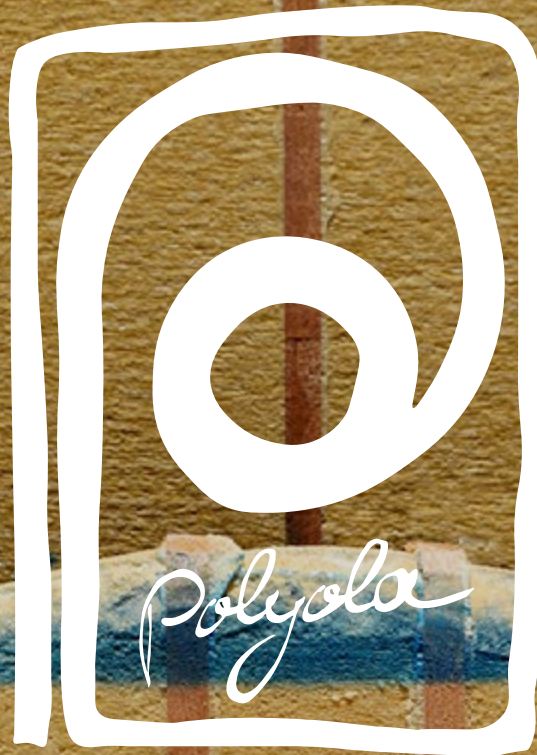


# POLYOLA SURFBOARD BLANK CATALOG 2023

99RK



94DK

contact: [contact@polyola.com](mailto:contact@polyola.com)  
visit us: [polyola.com](http://polyola.com)  
tag us: [@polyola\\_surf](https://www.instagram.com/polyola_surf)

# POLYOLA

## About us

Finding inspiration in surfing's rich history and pairing it with cutting edge material innovations, we develop and supply the first ever Polyurethane blank based on recycled materials, which is also 100% recyclable.

By bringing together the expertise of leading scientists, shapers and surfers, we strive to shape a sustainable future for the surf culture through innovative and sustainable solutions that are in harmony with the ocean and respect and protect the environment at all stages.

## Our Mission

Our mission at Polyola is to develop sustainable and innovative solutions for the surfboard industry. To do this, we work with a dedicated community of industry partners, shapers and surfers every day. In doing so, we aim to create sustainable value - for our customers and the surf community, as well as for the environment and society.

## Sustainability

Sustainability, resource conservation and local engagement are a priority in all aspects of our business. We are committed to addressing environmental issues such as plastic pollution and climate change and strive for a respectful and harmonious relationship with the ocean and nature. We strive to reduce waste and minimize environmental impact at all stages of the manufacture, use and disposal of our products.

We have adapted cutting-edge PU innovations that result in a more sustainable, durable and high-performance surfboard.

Our new foam chemistry and the highest quality raw materials allow us to produce a 100% recyclable PU foam that has superior strength and sets new sustainability standards in the surfboard industry.

## Our Process





# 6'2" S SHORT BOARD



## ROCKER

## THICKNESS

## WIDTH

## DIMENSIONS

**BOTTOM LENGTH:** 6'2"

**MAX WIDTH:** 20 3/4"

**MAX THICKNESS:** 3"

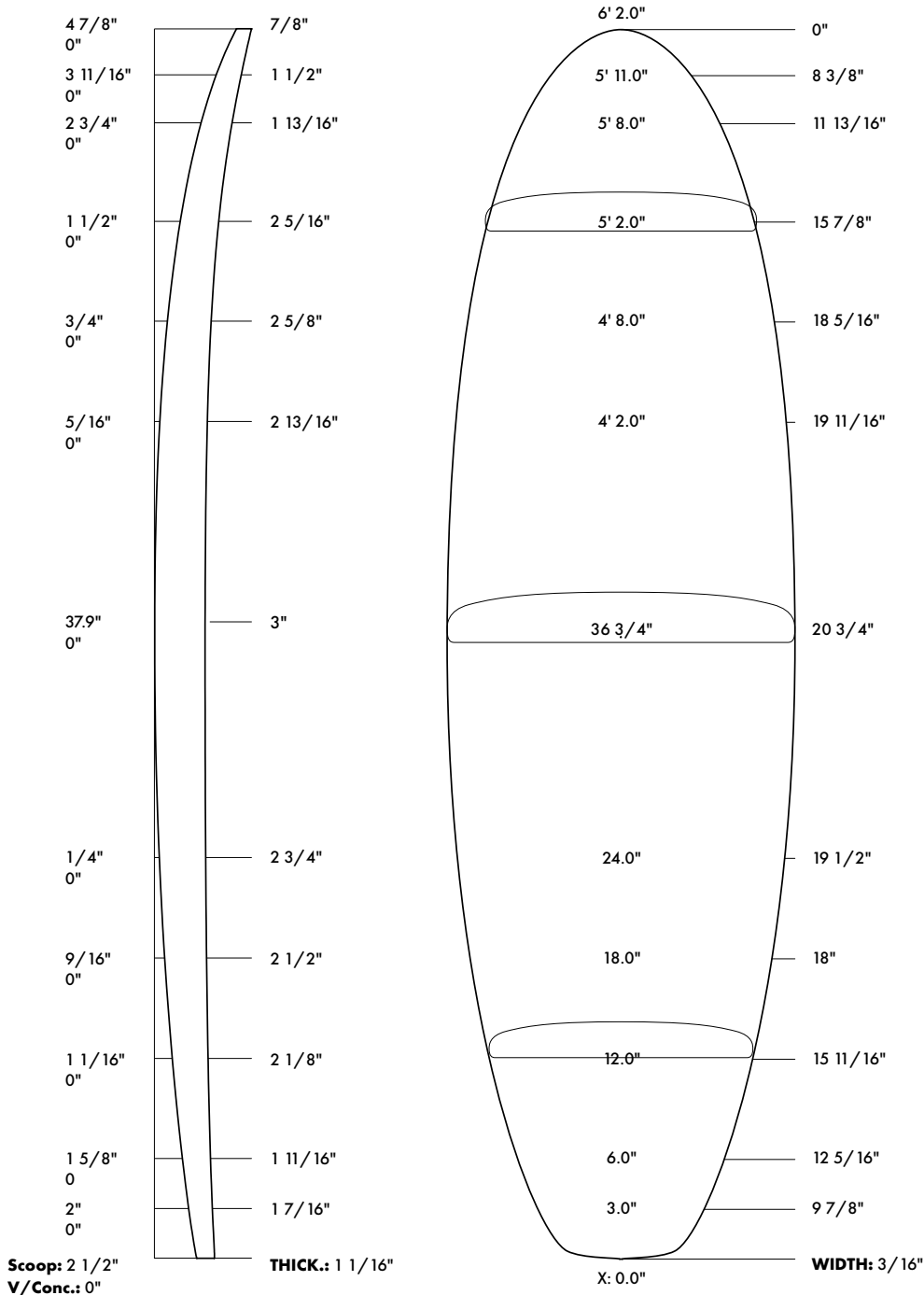
**VOLUME:** 46,07 L

**NATURAL ROCKER:**

[4 7/8" N | 2 1/2" T]

## DESIGN

The 6'2" S Shortboard Blank is designed for high performance shortboards. It should work well for all modern shortboard designs in the range of 6'1" and under.



## CUSTOM OPTIONS

contact@polyola.com

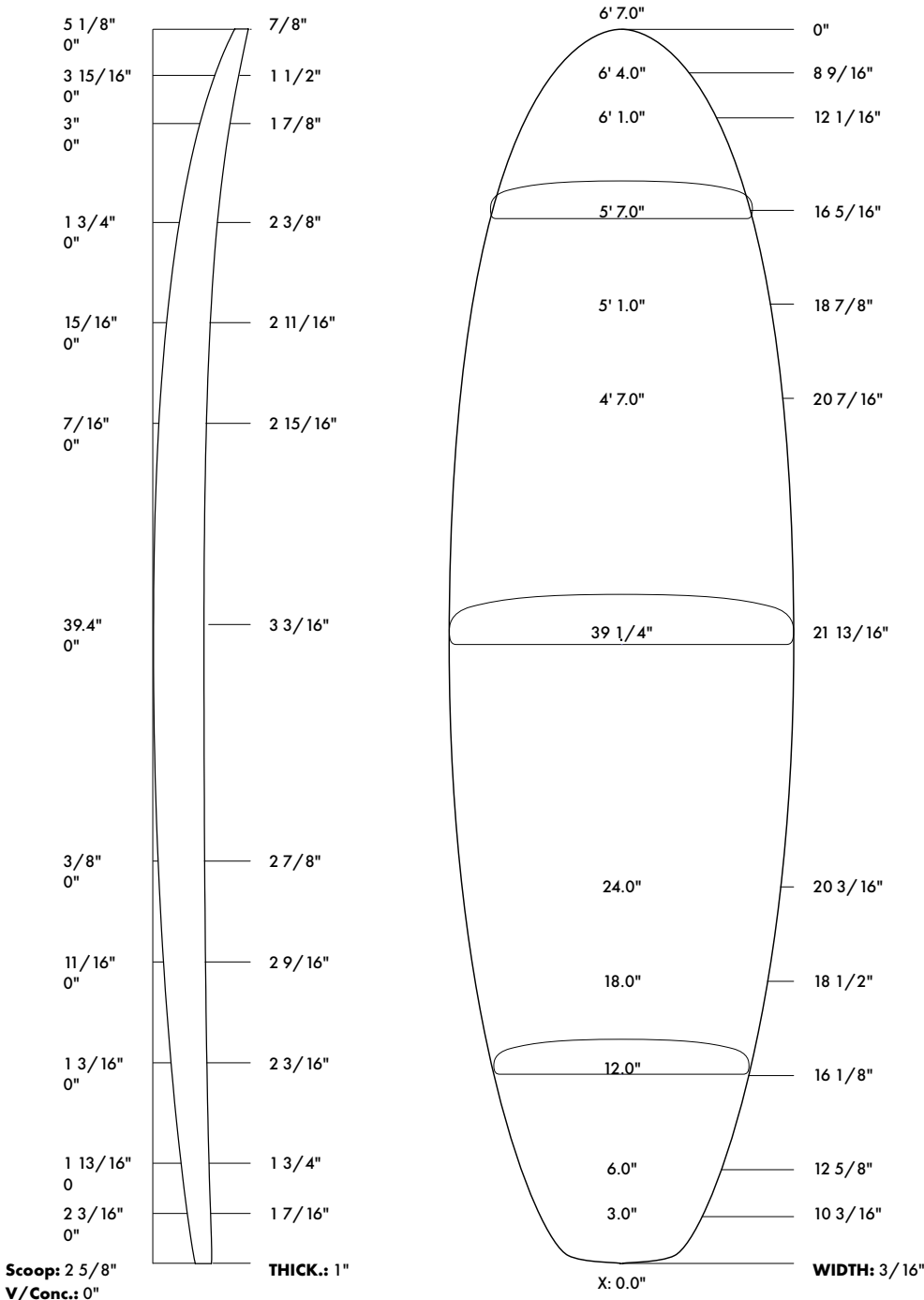
# 6'7" S SHORT BOARD



## ROCKER

## THICKNESS

## WIDTH



## DIMENSIONS

**BOTTOM LENGTH:** 6'7"  
**MAX WIDTH:** 21 13/16"  
**MAX THICKNESS:** 3 3/16"  
**VOLUME:** 54,67 L  
**NATURAL ROCKER:**  
 [5 1/8" N | 2 5/8" T]  
**ADJUSTED ROCKER:**  
 [+ 1 11/16" N | + 1/8" T]

## DESIGN

The 6'7" S Shortboard Blank is a scaled up version of our 6'2" S Model. It is designed for higher volume and larger Shortboard as well as Hybrid surfboard designs.

## CUSTOM OPTIONS

contact@polyola.com

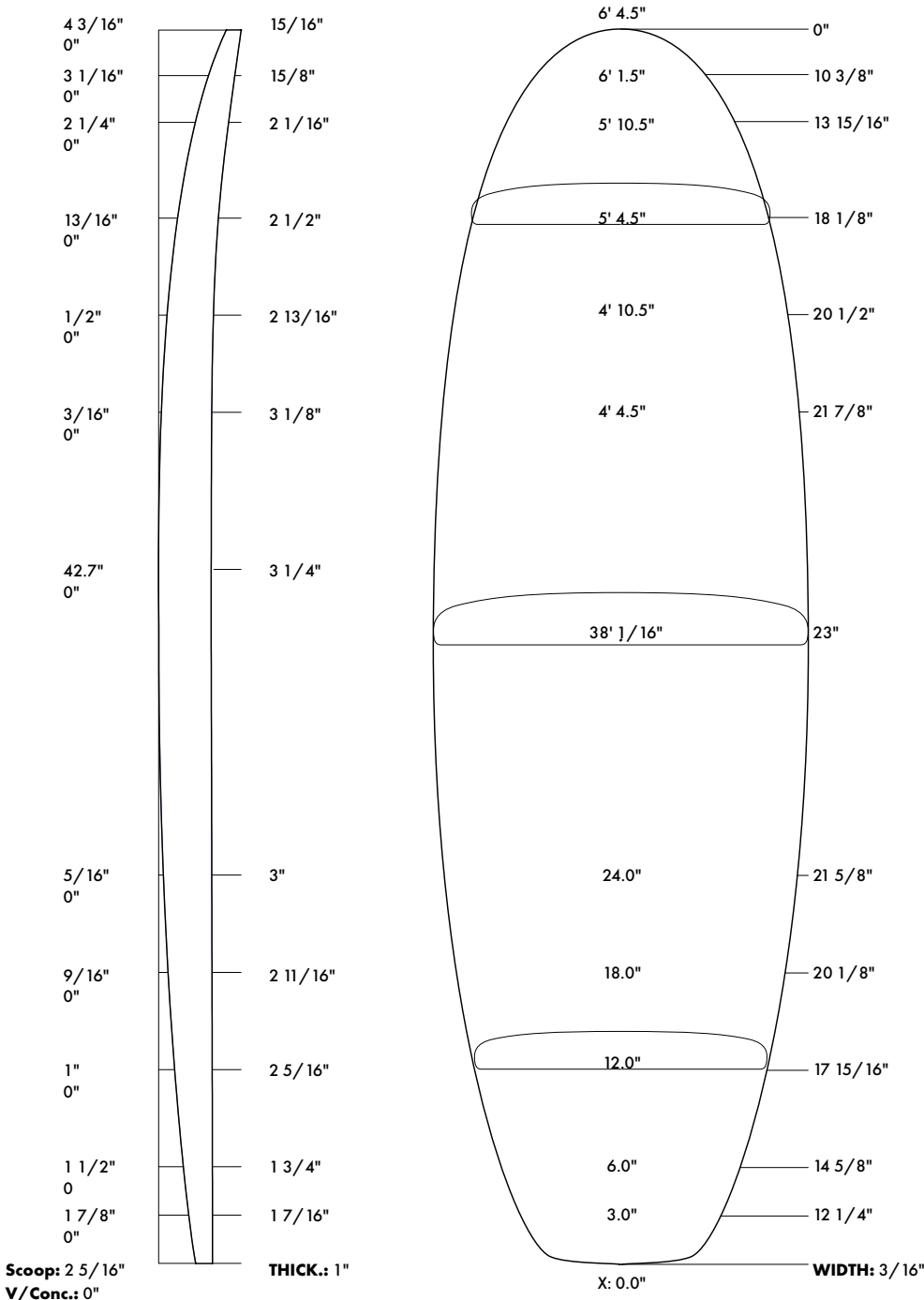
# 6'4" F FISH EGG



## ROCKER

## THICKNESS

## WIDTH



## DIMENSIONS

**BOTTOM LENGTH:** 6'4"  
**MAX WIDTH:** 23"  
**MAX THICKNESS:** 3 1/4"  
**VOLUME:** 59,16 L  
**NATURAL ROCKER:**  
 [4 3/16" N | 2 5/16" T]  
**ADJUSTED ROCKER:**  
 A: [- 5/8" N | - 3/8" T]  
 B: [+ 1 1/2" N | ± 0 T]

## DESIGN

The 6'4" F Fish / Egg Blank is designed for (Twin Fin) Fish, Egg and Fun Boards with a length of 6'3" and under. Wider outline and more Volume to play around with, to allow for a wide variety of designs.

## CUSTOM OPTIONS

contact@polyola.com

# 7'4" M MEDIUM LENGTH



## ROCKER

## THICKNESS

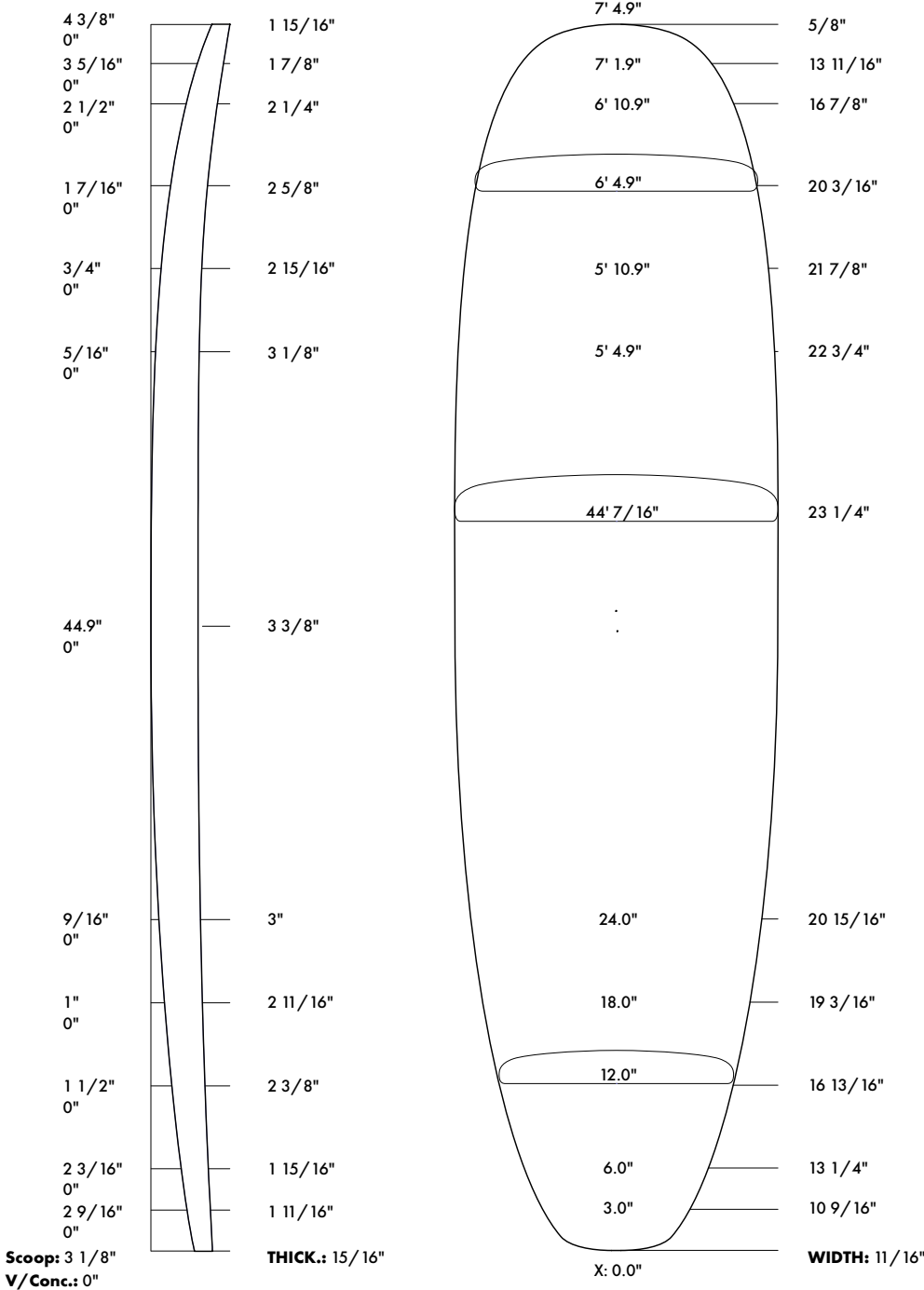
## WIDTH

## DIMENSIONS

**BOTTOM LENGTH:** 7'4"  
**MAX WIDTH:** 23 1/4"  
**MAX THICKNESS:** 3 3/8"  
**VOLUME:** 75,00 L  
**NATURAL ROCKER:**  
 [4 3/8" N | 3 1/8" T]  
**ADJUSTED ROCKER:**  
 A: [- 5/8" N | - 3/8" T]  
 B: [+ 3/4" N | - 3/8" T]

## DESIGN

The 7'4" M Medium Length Blank is designed for Boards 7'3" and under. With its round nose, wide tail and high volume it can be used for a wide range of designs from Malibus to highly performing Surfboards.



## CUSTOM OPTIONS

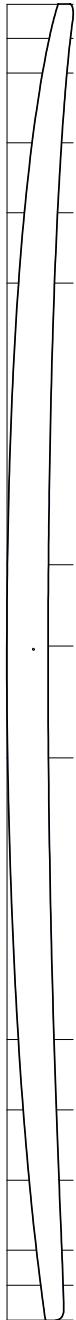
contact@polyola.com

# 9'4" RK LONG BOARD



## ROCKER

4 3/8"  
1/16"  
3 5/8"  
1/8"  
3"  
3/16"  
2 1/8"  
5/16"  
1 1/2"  
5/16"  
1"  
5/16"



Scoop: 3 1/4"  
V/Conc.: 1/16"

## THICKNESS

1 1/16"  
1 13/16"  
2 1/16"  
2 1/2"  
2 13/16"  
3 1/16"

3 1/2"  
3 1/2"  
3 7/16"

3"  
2 13/16"  
2 1/2"  
2 1/8"  
1 7/8"

THICK.: 7/8"

## WIDTH

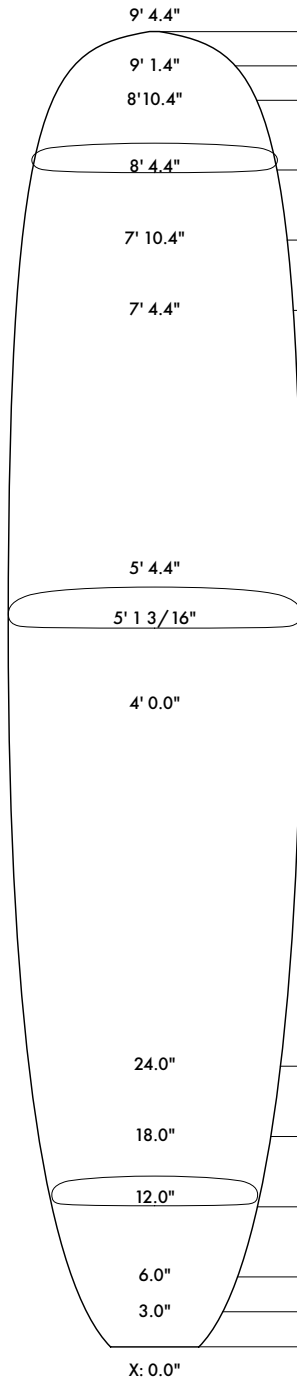
7/8"  
13 11/16"  
17 3/8"  
20 13/16"  
22 9/16"  
23 5/8"

24 15/16"  
24 15/16"  
24 9/16"

21 7/16"  
19 3/4"  
17 1/2"

14 1/8"  
11 9/16"

WIDTH: 7 1/2"



## DIMENSIONS

**BOTTOM LENGHT:** 9'4"  
**MAX WIDTH:** 24 15/16"  
**MAX THICKNESS:** 3 1/2"  
**VOLUME:** 107,95 L  
**NATURAL ROCKER:**  
[4 3/8" N | 3 1/4" T]

**DESIGNER:**  
**ROBIN KEGEL**

**CUSTOM OPTIONS**  
contact@polyola.com



# 9'9" RK LONG BOARD



## ROCKER

4 7/16"  
1/16"  
3 3/4"  
3/16"  
3 3/16"  
3/16"  
2 5/16"  
1/4"  
1 5/8"  
1/4"  
1 1/8"  
1/4"

1/8"  
3/16"  
4' 9.4"  
3/16"

1/16"  
3/16"

15/16"  
1/4"

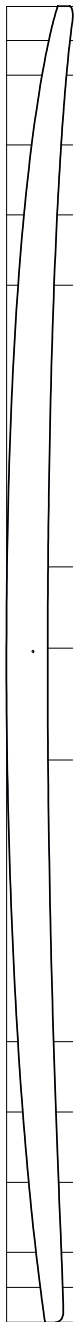
1 3/8"  
1/4"

1 7/8"  
1/4"

2 1/2"  
3/16"

2 7/8"  
3/16"

**Scoop:** 3 5/16"  
**V/Conc.:** 1/16"



## THICKNESS

7/8"  
1 7/8"  
2 1/8"  
2 9/16"  
2 7/8"  
3 1/8"

3 9/16"  
3 5/8"

3 5/8"

3 1/8"  
2 7/8"  
2 9/16"

2 1/8"  
1 7/8"

**THICK.:** 7/8"

## WIDTH

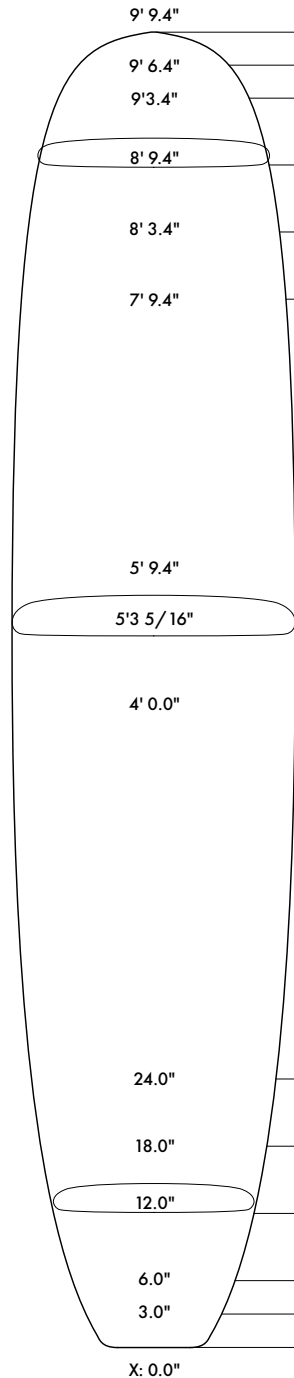
7/16"  
13 3/8"  
17"  
20 1/2"  
22 3/8"  
23 1/2"

25 1/8"  
24 3/16"  
24 13/16"

21 3/4"  
20 1/16"  
17 13/16"

14 7/16"  
12 1/16"

**WIDTH:** 6 7/16"



## DIMENSIONS

**BOTTOM LENGTH:** 9'9"  
**MAX WIDTH:** 25 1/8"  
**MAX THICKNESS:** 3 5/8"  
**VOLUME:** 119,27 L  
**NATURAL ROCKER:**  
[4 7/16" N | 3 5/16" T]

**DESIGNER:**  
**ROBIN KEGEL**

**CUSTOM OPTIONS**  
contact@polyola.com

